

Carbon Steel Ball Valve



**3 Piece 4 Bolt • Swing Out Body • Full Port • Threaded Connection
1000 WOG**



T-CS-1000N-SS-4B

Features

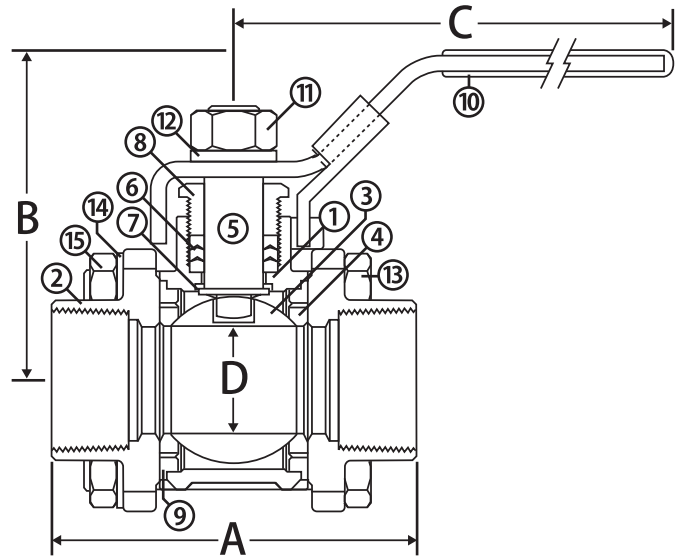
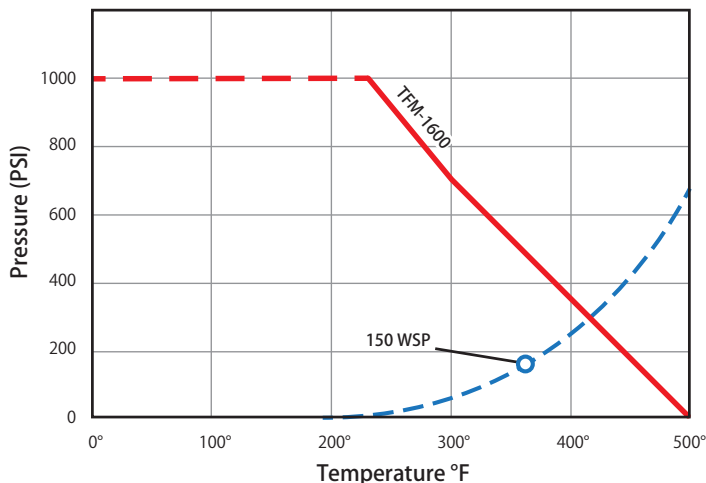
- Latch lock handle, may be locked in open or closed positions
- 29 in-HG vacuum rating
- Repair parts available
- 100% leak tested

Approvals

- UL Listed 842 (49RO)
 - MHKZ - Manual valves
 - YQNZ - Compressed gas shut-off valves
 - YRBX - Flammable liquid shut-off valves
 - YRPV - Gas shut-off valves
 - YSDT - LP gas shut-off valves
 - YQAR - Anhydrous ammonia shut-off valves
- NACE Certified
- MSS SP-110

Valve Seat Rating

1000 WOG - 150 WSP



Material Specifications

No.	Part	Materials
1	Body	WCB Carbon Steel
2	End Cap (2)	WCB Carbon Steel
3	Ball	CF8M Stainless Steel
4	Seat (2)	Hostaflo [®] TFM 1600
5	Stem	316 Stainless Steel
6	Packing (2)	RPTFE
7	Stem Seal	Hostaflo [®] TFM 1600
8	Packing Gland	1045 Carbon Steel
9	Body Seal (2)	Hostaflo [®] TFM 1600
10	Handle	A283 Carbon Steel
11	Handle Nut	A283 Carbon Steel
12	Lock Washer	A283 Carbon Steel
13	Body Bolt (4)	A283 Carbon Steel
14	Body Lock Washer (4)	A283 Carbon Steel
15	Body Nut (4)	A283 Carbon Steel

Dimensions

Part No.	Size	A	B	C	D
500-401	1/4"	2.37	2.18	4.30	0.43
500-402	3/8"	2.37	2.18	4.30	0.43
500-403	1/2"	2.76	2.38	4.30	0.56
500-404	3/4"	3.03	2.87	5.81	0.81
500-405	1"	3.63	2.95	5.81	1.00
500-406	1-1/4"	4.14	3.66	7.44	1.25
500-407	1-1/2"	4.73	3.94	7.44	1.50
500-408	2"	5.43	4.25	7.81	1.97

Tank Truck Service & Sales, Inc. Warren, Michigan
800-482-2678 www.tanktruckservice.com

Carbon Steel Ball Valve

**3 Piece 4 Bolt • Swing Out Body • Full Port • Socket Weld
1000 WOG**



S-CS-1000N-SS-4B

Features

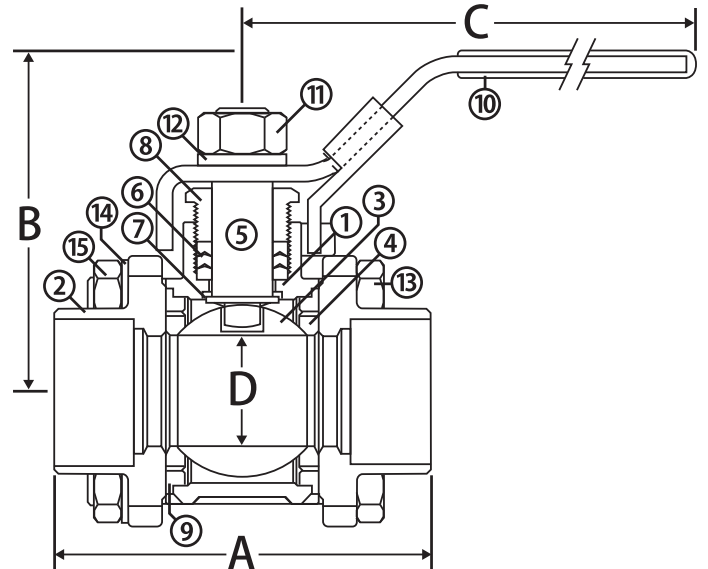
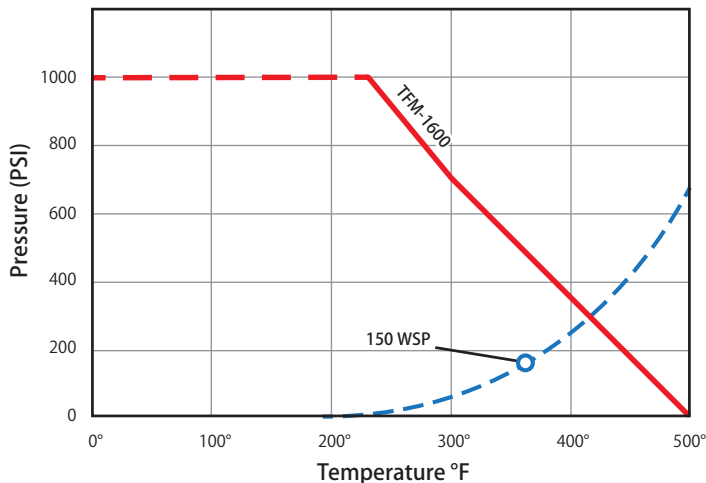
- Latch lock handle, may be locked in open or closed positions
- 29 in-HG vacuum rating
- Repair parts available
- 100% leak tested

Approvals

- UL Listed 842 (49RO)
 - YSDT - LP gas shut-off valves
 - YQAR - Anhydrous ammonia shut-off valves
- NACE Certified
- MSS SP-110

Valve Seat Rating

1000 WOG - 150 WSP



Material Specifications

No.	Part	Materials
1	Body	WCB Carbon Steel
2	End Cap (2)	WCB Carbon Steel
3	Ball	CF8M Stainless Steel
4	Seat (2)	Hostaflon® TFM 1600
5	Stem	316 Stainless Steel
6	Packing (2)	RPTFE
7	Stem Seal	Hostaflon® TFM 1600
8	Packing Gland	1045 Carbon Steel
9	Body Seal (2)	Hostaflon® TFM 1600
10	Handle	A283 Carbon Steel
11	Handle Nut	A283 Carbon Steel
12	Lock Washer	A283 Carbon Steel
13	Body Bolt (4)	A283 Carbon Steel
14	Body Lock Washer (4)	A283 Carbon Steel
15	Body Nut (4)	A283 Carbon Steel

Dimensions

Part No.	Size	A	B	C	D
500-503	1/2"	2.76	2.38	4.30	0.56
500-504	3/4"	3.03	2.87	5.81	0.81
500-505	1"	3.63	2.95	5.81	1.00
500-506	1-1/4"	4.14	3.66	7.44	1.25
500-507	1-1/2"	4.73	3.94	7.44	1.50
500-508	2"	5.43	4.25	7.81	1.97